

Cisco Video Surveillance 2600 IP Camera

The Cisco® Video Surveillance 2600 IP Camera is a high-resolution, feature-rich digital camera designed to provide superior performance in a wide variety of video surveillance applications. The camera employs H.264 compression and streams 30 frames per second (fps) at D1 NTSC resolution (720 x 480) or 25 fps at D1 PAL resolution (720 x 576), offering efficient network utilization while providing high-quality video. With its open, standards-based design, the camera provides an ideal platform for integration and operation as an independent device or as part of a Cisco Video Surveillance network.

Figure 1 shows the Cisco Video Surveillance 2600 IP Camera.

Figure 1. Cisco 2600 IP Camera Shown with Optional DC Auto Iris Lens



The Cisco Video Surveillance 2600 IP Camera offers a variety of benefits, including:

- **Optimal imaging efficiency.** The 2600 IP Camera can stream video using H.264 compression, reducing network traffic and storage requirements while providing superior image quality.
- **Wide dynamic range.** The camera employs powerful digital imaging technology, allowing it to capture high-quality images in a wide variety of lighting conditions. It uses a progressive scan image sensor with global electronic shuttering to ensure natural color rendition, zero blooming and smear, and minimal motion blurring.
- **Dual streaming.** The camera can deliver two simultaneous video streams over the network. A combination of H.264, MPEG4, and MJPEG can be configured. Each video stream can be configured with individual resolution, quality, and frame rate settings.
- **Day/night operation.** The camera provides true day/night functionality that includes an IR filter that can automatically switch to night mode in low light scenes. This function can be set to manual or automatic control.
- **Flexible power options.** The 2600 IP Camera supports Power over Ethernet (PoE) 802.3af or DC power through an optional external power supply.
- **Embedded security and networking.** The camera provides 802.1X authentication and supports IP Multicast for enhanced bandwidth management.
- **Event notification.** The camera can examine designated areas in the video for motion activity and then notify users or other applications when it detects activity that exceeds a predefined threshold.
- **Mounting options.** The camera can be installed with a fixed-mount or with an optional external pan/tilt mount and motorized zoom lens.
- **Bidirectional audio.*** The camera supports full-duplex audio, and options for half-duplex operation.

Note: Features with an asterisk are not supported or applicable when the camera is used with Cisco Video Surveillance Manager.

Features

Table 1 describes the features of the Cisco Video Surveillance 2600 IP Camera.

Table 1. Cisco Video Surveillance 2600 IP Camera Features

Item	Specification
Imaging Device	1/3-in. progressive-scan CMOS sensor with wide dynamic range
Image Control	Automatic white balance (AWB), automatic gain control (AGC), automatic exposure (AE), auto/manual iris
Dynamic Range	102 dB typical/120 dB maximum
Minimum Illumination	<ul style="list-style-type: none"> Color mode: F1.4 @ 0.65 lux Black and white mode: F1.4 @ 0.8 lux
Signal-to-Noise Ratio (SNR)	>48 dB
Lens Selection	Accepts manual or DC auto iris lens
Lens Mount	CS mount
Shutter Speed	Electronic Shutter
Video Compression	H.264, MPEG-4, MJPEG
Audio Compression *	G.711 A-Law, G.711 U-Law, G.726
Resolution and Frame Rate	NTSC/PAL <ul style="list-style-type: none"> 720 x 480/576 @ 30/25 fps (D1) 704 x 480/576 @ 30/25 fps (4CIF) 352 x 240/288 @ 30/25 fps (CIF)
Video Streaming	Single and dual video streams supported. Refer to Tables 2, 3, and 4 for details.
Protocols	Dynamic Host Control Protocol (DHCP), File Transfer Protocol (FTP), Hypertext Transfer Protocol (HTTP), Secure HTTP (HTTPS), Network Time Protocol (NTP), Real-Time Transport Protocol (RTP), Real-Time Streaming Protocol (RTSP), Simple Mail Transfer Protocol (SMTP), Secure Sockets Layer/Transport Layer Security (SSL/TLS), Transmission Control Protocol/Internet Protocol (TCP/IP)
Quality of Service (QoS)	Differentiated services code point (DSCP) marking
Power	12 VDC PoE (802.3af) @ 48V/0.3A
Power Consumption	11W (max)

Note: Features with an asterisk are not supported or applicable when the camera is used with Cisco Video Surveillance Manager.

Table 2 lists supported single stream configurations on the Cisco Video Surveillance 2600 IP Camera.

Table 2. Supported Single Stream Configurations

Single Streaming	Maximum Resolution and Frames Per Second (FPS)	Resolutions Supported (NTSC & PAL)	NTSC FPS Supported	PAL FPS Supported
H.264	D1 @ 30 fps	D1 4CIF CIF	30, 25, 20, 15, 10, 8, 6, 5	25, 20, 15, 10, 8, 6, 5
MPEG-4	D1 @ 30 fps	D1 4CIF CIF	30, 25, 20, 15, 10, 8, 6, 5	25, 20, 15, 10, 8, 6, 5
MJPEG	D1 @ 30 fps	D1 4CIF CIF	30, 25, 20, 15, 10, 8, 6, 5	25, 20, 15, 10, 8, 6, 5

Table 3 lists the supported primary and secondary video stream combinations on the Cisco Video Surveillance 2600 IP Camera.

Table 3. Supported Primary and Secondary Video Stream Combinations

Primary	Secondary
H.264	H.264
H.264	MJPEG
MPEG4	MPEG4
MPEG4	MJPEG

Table 4 lists the supported primary and secondary video streams on the Cisco Video Surveillance 2600 IP Camera.

Table 4. Cisco Video Surveillance 2600 IP Camera Video Stream Support

NTSC Primary Channel Resolutions	NTSC Primary Frame Rate	NTSC Secondary Channel Resolutions	NTSC Secondary Frame Rate*
4 CIF, CIF	30, 25, 20, 15, 10, 8, 6, 5	CIF	15, 10, 8, 6, 5
PAL Primary Channel Resolutions	PAL Primary Frame Rate	PAL Secondary Channel Resolutions	PAL Secondary Frame Rate*
4 CIF, CIF	25, 20, 15, 10, 8, 6, 5	CIF	15, 10, 8, 6, 5

Note: Features with an asterisk are not supported or applicable when the camera is used with Cisco Video Surveillance Manager.

Connectors

Table 5 describes the connectors on the Cisco Video Surveillance 2600 IP Camera.

Table 5. Cisco Video Surveillance 2600 IP Camera Connectors

Item	Specification
Network connectivity	10/100 BASE-TX Ethernet with RJ-45 connector
Video	1 analog output BNC connector, 75 ohms
Audio*	<ul style="list-style-type: none"> • 1, 3.5-mm output jack for optional external speaker • 1, 3.5-mm input jack for optional external microphone • Built-in microphone • Two-way (full- and half-duplex), one-way, or audio off
Serial port	RS-485 (2-wire), Pelco D protocol only
Alarm input	2, logic-level programmable
Alarm output*	2, logic-level programmable
Power input	2-pin terminal

Note: Features with an asterisk are not supported or applicable when the camera is used with Cisco Video Surveillance Manager.

Software

Table 6 describes the primary features of the Cisco Video Surveillance 2600 IP Camera software.

Table 6. Cisco Video Surveillance 2600 IP Camera Primary Software Features

Item	Specification
Video Format	NTSC and PAL
Day/night Settings	Auto or manual day/night operation with user-definable thresholds
Image Settings	Configurable brightness, sharpness, saturation, and white balance
Overlay Capabilities	Time, date, and text
Selectable Bit Rate	Support for Constant Bit Rate or Variable Bit Rate
IP Filtering	Users can enter a list of allowed or blocked IP addresses for viewing video and configuring camera settings
Discovery*	Cisco Discovery Protocol, Bonjour zero-configuration discovery
Configuration	<ul style="list-style-type: none"> • Browser-based using Internet Explorer 8 • Multiple user access levels with password protection
Activity Detection	4 user-definable motion detection areas
Event Actions	<ul style="list-style-type: none"> • Email • FTP upload of captured video or JPEG snapshot depending on stream configuration • HTTP alert • Alarm output

Note: Features with an asterisk are not supported or applicable when the camera is used with Cisco Video Surveillance Manager.

Specifications

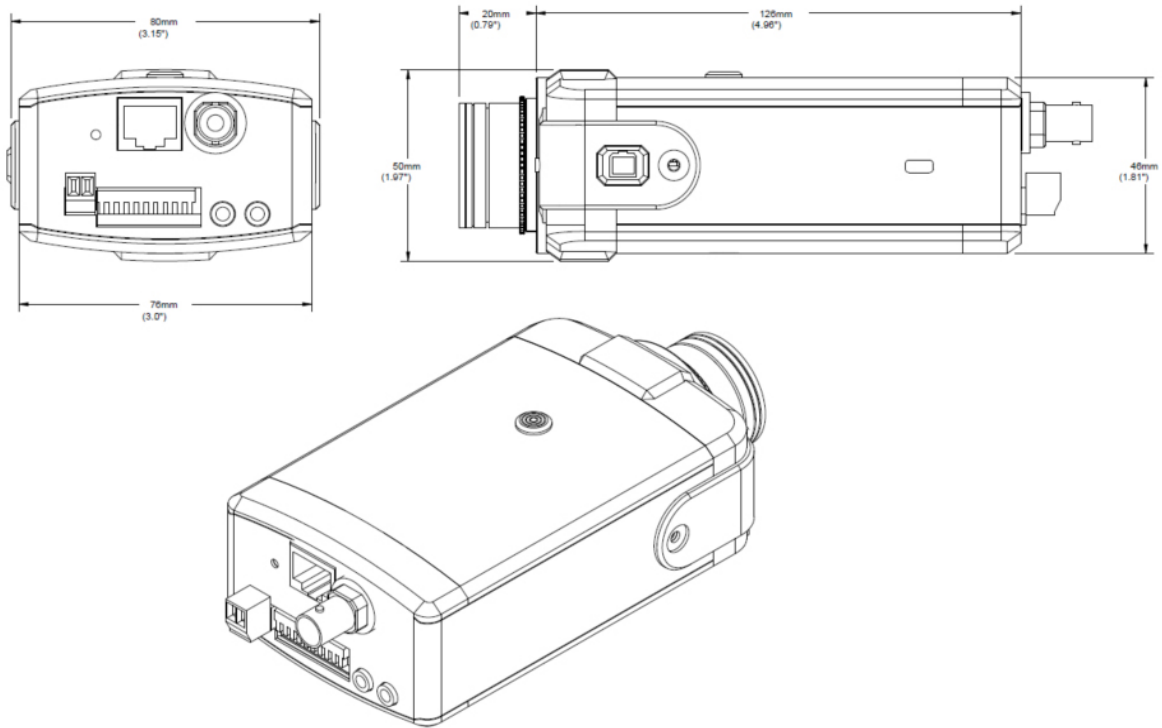
Table 7 provides specifications of the Cisco Video Surveillance 2600 IP Camera.

Table 7. Cisco Video Surveillance 2600 IP Camera Specifications

Item	Specification			
Housing	Aluminum			
LEDs	Power, Ethernet link, and activity			
Dimensions (L x W x H)	<ul style="list-style-type: none"> • 4.96 x 3.15 x 2 in. • 126 x 80 x 50 mm 			
Weight	<ul style="list-style-type: none"> • 1.15 lb • 0.52 kg 			
Certifications	<table border="0"> <tr> <td style="vertical-align: top;"> Safety: IEC 60950-1:2001 EN 60950-2:2001 +A11:2004 </td> <td style="vertical-align: top;"> EMC-Emissions: FCC Part 12 Subpart B, Class B CISPR22 Class B ICES-003, Class B ANSI C63.4 EN55022: Class B EN61000-3-2 EN61000-3-3 </td> <td style="vertical-align: top;"> EMC-Immunity: EN55024 EN61000-4-2 EN61000-4-3 EN61000-4-4 EN61000-4-5 EN61000-4-6 EN61000-4-8 EN61000-4-11 </td> </tr> </table>	Safety: IEC 60950-1:2001 EN 60950-2:2001 +A11:2004	EMC-Emissions: FCC Part 12 Subpart B, Class B CISPR22 Class B ICES-003, Class B ANSI C63.4 EN55022: Class B EN61000-3-2 EN61000-3-3	EMC-Immunity: EN55024 EN61000-4-2 EN61000-4-3 EN61000-4-4 EN61000-4-5 EN61000-4-6 EN61000-4-8 EN61000-4-11
Safety: IEC 60950-1:2001 EN 60950-2:2001 +A11:2004	EMC-Emissions: FCC Part 12 Subpart B, Class B CISPR22 Class B ICES-003, Class B ANSI C63.4 EN55022: Class B EN61000-3-2 EN61000-3-3	EMC-Immunity: EN55024 EN61000-4-2 EN61000-4-3 EN61000-4-4 EN61000-4-5 EN61000-4-6 EN61000-4-8 EN61000-4-11		
Operating Temperature	Indoors: <ul style="list-style-type: none"> • 32 to 122°F • 0 to 50°C Outdoors (when installed in an appropriate outdoor enclosure with heating and cooling): <ul style="list-style-type: none"> • -40 to 158°F • -40 to 70°C 			

Figure 2 shows the dimensions of the Cisco Video Surveillance 2600 Series IP Camera.

Figure 2. Cisco Video Surveillance 2600 IP Camera Dimensions



Package Contents

Table 8 describes the items that ship with the Cisco Video Surveillance 2600 IP Camera.

Table 8. Package Contents

Item
Cisco Video Surveillance 2600 Series IP Camera
Lens opening dust cap, mounting hole protector, terminal block for power connection, C mount lens adaptor, 0.9-mm Allen wrench, snap-on ferrite core (x2).
Regulatory compliance and safety information
Quick start guide

Availability

The Cisco Video Surveillance 2600 IP Camera is available through Cisco Authorized Technology Provider (ATP) Partners.

Ordering Information

Table 9 lists the part numbers for the Cisco Video Surveillance 2600 IP Camera and for the lenses that the camera supports.

Table 9. Ordering Information

Part Number	Description
CIVS-IPC-2600	Cisco Video Surveillance 2600 IP Camera, Full Resolution, Day/Night
Lenses	
CIVS-IPC-VT38	Cisco IP Camera Tamron 3–8 mm Varifocal Lens
CIVS-IPC-VT31	Cisco IP Camera Tamron 3–11 mm Varifocal Lens
CIVS-IPC-VT55	Cisco IP Camera Tamron 5–50 mm Varifocal Lens
CIVS-IPC-VF38	Cisco IP Camera Fujinon 3–8 mm Varifocal Lens
CIVS-IPC-VF31	Cisco IP Camera Fujinon 3–11 mm Varifocal Lens
CIVS-IPC-VF55	Cisco IP Camera Fujinon 5–50 mm Varifocal Lens

Using the Camera with Cisco Video Surveillance Manager

Features that are marked with an asterisk (*) are not supported when using the camera with Cisco Video Surveillance Manager. Please refer to the latest release notes for Cisco Video Surveillance Manager for more information.

Service and Support

Cisco offers a wide range of services programs to accelerate customer success. These innovative programs are delivered through a unique combination of people, processes, tools, and partners, resulting in high levels of customer satisfaction. Cisco services help you to protect your network investment, optimize network operations, and prepare your network for new applications to extend network intelligence and the power of your business. For more information about Cisco services, visit [Cisco Technical Support Services](#) or [Cisco Advanced Services](#).

For More Information

For more information about Cisco Video Surveillance solutions, visit <http://www.cisco.com/en/US/products/ps6712/index.html> or contact your local account representative.



Americas Headquarters
Cisco Systems, Inc.
San Jose, CA

Asia Pacific Headquarters
Cisco Systems (USA) Pte. Ltd.
Singapore

Europe Headquarters
Cisco Systems International BV Amsterdam,
The Netherlands

Cisco has more than 200 offices worldwide. Addresses, phone numbers, and fax numbers are listed on the Cisco Website at www.cisco.com/go/offices.

Cisco and the Cisco Logo are trademarks of Cisco Systems, Inc. and/or its affiliates in the U.S. and other countries. A listing of Cisco's trademarks can be found at www.cisco.com/go/trademarks. Third party trademarks mentioned are the property of their respective owners. The use of the word partner does not imply a partnership relationship between Cisco and any other company. (1005R)